

488nm一体化风冷式氩离子激光器



产品描述:

氩离子激光器是一种惰性气体离子激光器, 是目前在可见光区域输出功率较高的一种连续工作的激光器。在可见光区域可发射多条振荡谱线, 其中以波长514.5nm(绿色)和488nm(蓝色)的光最强。借硬密封激光管、先进的电源供应和滤光轮模块, Stellar-Pro-L Select 300一体化风冷式氩离子激光器完美地将尺寸、性能和功能结合, 组成出色的激光系统。这款激光器的独特设计允许用户自行选择四种不同的波长选项, 提供了极致的激光灵活性, 就像拥有“四激光合一”。

产品应用:

- ☀ 拉曼光谱
- ☀ R & D
- ☀ 教育 - 高校化学物理实验室
- ☀ 生物医学
- ☀ 机械设备
- ☀ 影像记录
- ☀ 各种科学实验

技术参数:

波长(单线)	488nm
最大输出功率	100mW
波束模式	TEM ₀₀
光束直径(1/e ²)	0.75mm
光束发散度	0.95mrad
波束指向稳定性	< 30u rad
输出功率(预热后)	< +/- 1%
束流幅度噪声	<1% RMS
偏振比	>250:1
预热时间	10 Minutes
线路电压/线路频率	200VAC - 265VAC / 50Hz - 60Hz
功率消耗	< 3000 Watts
重量(lbs / Kg)	22lbs / 10Kg (约)
外形尺寸(LXWXH英寸)	19.2x5.4

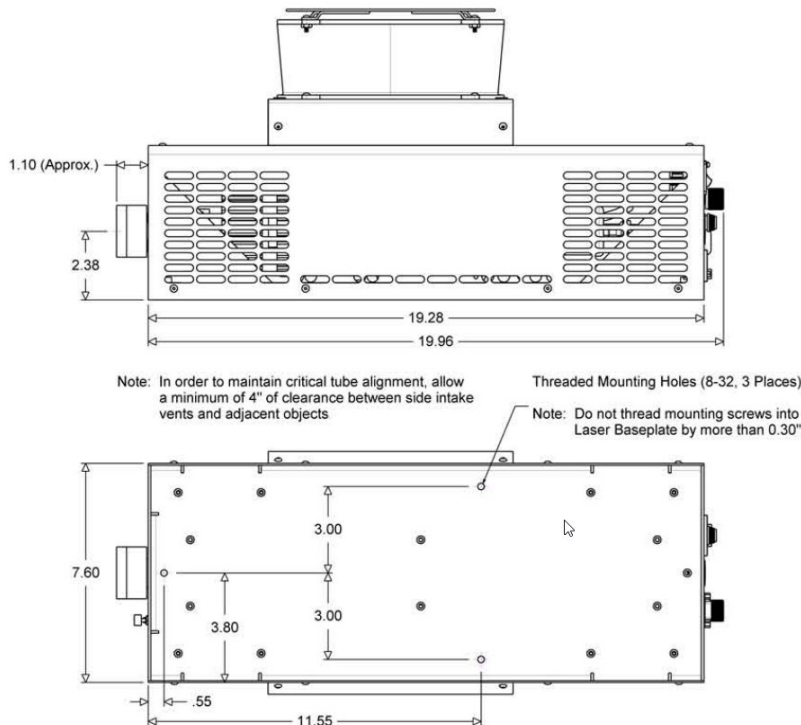
Aries系列:

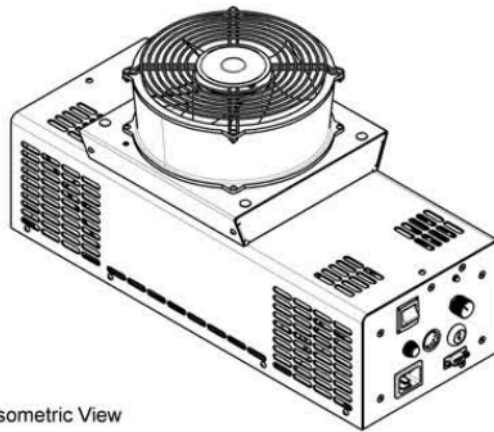
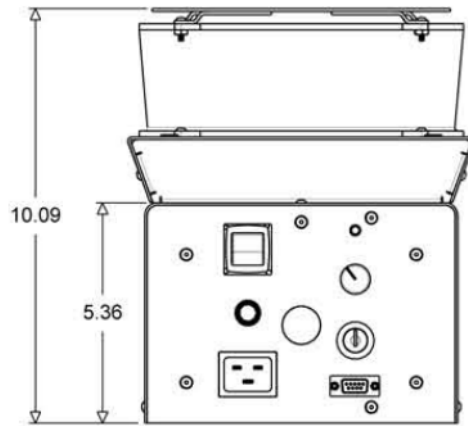
型号	Aries-163 488/25	Aries-163 514/25	Aries-163 ML/50	Aries-2211 488/25	Aries-2211 514/25	Aries-2211 ML/50
波长	488nm	514.4nm	457.9nm - 514.5nm	488nm	514.4nm	457.9nm - 514.5nm
最大功率	25mW	25mW	50mW	25mW	25mW	50mW
模模	TEM ₀₀	TEM ₀₀	TEM ₀₀	TEM ₀₀	TEM ₀₀	TEM ₀₀
光斑直径	1/e ² 0.70mm	1/e ² 0.70mm	1/e ² 0.70mm	1/e ² 0.70mm	1/e ² 0.70mm	1/e ² 0.70mm
光束发散角	0.90mrad	0.90mrad	0.90mrad	0.90mrad	0.90mrad	0.90mrad
光斑稳定度	<30urad	<30urad	<30urad	<30urad	<30urad	<30urad
功率抖动	< +/- 1%	< +/- 1%	< +/- 1%	< +/- 1%	< +/- 1%	< +/- 1%
光束噪声	< 1% RMS	< 1% RMS	< 1% RMS	< 1% RMS	< 1% RMS	< 1% RMS
偏振	> 250:1	> 250:1	> 250:1	> 250:1	> 250:1	> 250:1
预热时间	5 Minutes	5 Minutes	5 Minutes	5 Minutes	5 Minutes	5 Minutes
电压	105VDC - 120VDC	105VDC - 120VDC	105VDC - 120VDC	105VDC - 120VDC	105VDC - 120VDC	105VDC - 120VDC
功耗	< 1200 Watts	< 1200 Watts	< 1200 Watts	< 1200 Watts	< 1200 Watts	< 1200 Watts
尺寸	12.8" x 5.18" x 7.93"	12.8" x 5.18" x 7.93"	12.8" x 5.18" x 7.93"	12.8" x 5.18" x 7.93"	12.8" x 5.18" x 7.93"	12.8" x 5.18" x 7.93"
重量	9lbs / 4.1Kg (approx.)	9lbs / 4.1Kg (approx.)	9lbs / 4.1Kg (approx.)	9lbs / 4.1Kg (approx.)	9lbs / 4.1Kg (approx.)	9lbs / 4.1Kg (approx.)

stellar系列:

型号	Stellar-Pro 457/10	Stellar-Pro 488/50	Stellar-Pro 514/50	Stellar-Pro ML/150	Stellar-Pro-L 457/20	Stellar-Pro-L 488/100	Stellar-Pro-L 514/100	Stellar-Pro-L ML/300	Stellar-Pro-L ML/1000	Stellar-Pro-L Select 150	Stellar-Pro-L Select 300
波长	457.9nm	488nm	514.5nm	457.9nm - 514.5nm	457.9nm	488nm	514.5nm	457.9nm - 514.5nm	457.9nm - 514.5nm	457.9nm, 488nm, 514.5nm and Multi-Line	457.9nm, 488nm, 514.5nm and Multi-Line
最大功率	10mW	50mW	50mW	150mW	20mW	100mW	100mW	(Total) 300mW	1000mW	8mW @ 457.9nm, 40mW @ 488nm, 50mW @ 514.5nm and	16mW @ 457.9nm, 80mW @ 488nm, 100mW @
模倂	TEM ₀₀	TEM ₀₀	TEM ₀₀	TEM ₀₀	TEM ₀₀	TEM ₀₀	TEM ₀₀	TEM ₀₀	Multi-Mode	TEM ₀₀	1/e ² 0.75mm
光斑直径	1/e ² 0.65mm	1/e ² 0.65mm	1/e ² 0.65mm	1/e ² 0.65mm	1/e ² 0.75mm	1/e ² 0.75mm	1/e ² 0.75mm	1/e ² 0.75mm	1/e ² 0.75mm	1/e ² 0.65mm	0.95mrad
光束发散角	0.95mrad	0.95mrad	0.95mrad	0.95mrad	0.95mrad	0.95mrad	0.95mrad	0.95mrad	0.95mrad	0.95mrad	<30urad
光斑稳定度	<30urad	<30urad	<30urad	<30urad	<30urad	<30urad	<30urad	<30urad	<30urad	<30urad	< +/- 1%
功率抖动	< +/- 1%	< +/- 1%	< +/- 1%	< +/- 1%	< +/- 1%	< +/- 1%	< +/- 1%	< +/- 1%	< +/- 5% (Constant Current Operation)	< +/- 1%	< 1% RMS
光束噪声	< 1% RMS	< 1% RMS	< 1% RMS	< 1% RMS	< 1% RMS	< 1% RMS	< 1% RMS	< 1% RMS	< 5% RMS	< 1% RMS	> 250:1
偏振	> 250:1	> 250:1	> 250:1	> 250:1	> 250:1	> 250:1	> 250:1	> 250:1	Non-Polarized	> 250:1	10 Minutes
预热时间	5 Minutes	5 Minutes	5 Minutes	5 Minutes	10 Minutes	10 Minutes	10 Minutes	10 Minutes	10 Minutes	5 Minutes	- 265VAC (Universal)
电压/频率	100VAC - 265VAC / 50Hz - 60Hz	100VAC - 265VAC / 50Hz - 60Hz	100VAC - 265VAC / 50Hz - 60Hz	100VAC - 265VAC / 50Hz - 60Hz	200VAC - 265VAC / 50Hz - 60Hz	200VAC - 265VAC / 50Hz - 60Hz	200VAC - 265VAC / 50Hz - 60Hz	200VAC - 265VAC / 50Hz - 60Hz	200VAC - 265VAC / 50Hz - 60Hz	100VAC - 265VAC / 50Hz - 60Hz	50Hz - 60Hz
功耗	< 1500 Watts	< 1500 Watts	< 1500 Watts	< 1500 Watts	< 3000 Watts	< 3000 Watts	< 3000 Watts	< 3000 Watts	< 3000 Watts	< 1500 Watts	< 3000 Watts
尺寸	13.0" x 7.6" x 5.1"	13.0" x 7.6" x 5.1"	13.0" x 7.6" x 5.1"	13.0" x 7.6" x 5.1"	19.2" x 7.6" x 5.4"	19.2" x 7.6" x 5.4"	19.2" x 7.6" x 5.4"	19.2" x 7.6" x 5.4"	19.2" x 7.6" x 5.4"	13.0" x 7.6" x 5.1"	(LxWxH - inches) 19.2" x 7.6" x 5.4"
重量	141bs / 6.4Kg	141bs / 6.4Kg	141bs / 6.4Kg	141bs / 6.4Kg	221bs / 10Kg	221bs / 10Kg	(lbs/Kg) 221bs / 10Kg	221bs / 10Kg	221bs / 10Kg	141bs / 6.4Kg	221bs / 10Kg

产品尺寸:





Isometric View